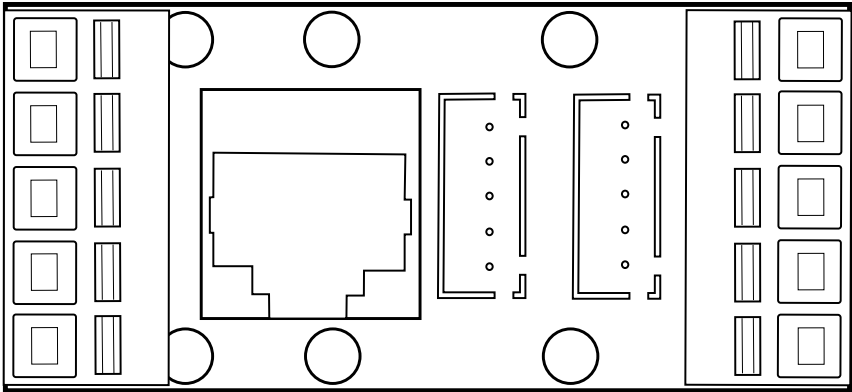


# LX-ADP02 manual



# Technical data

**Connector types:**

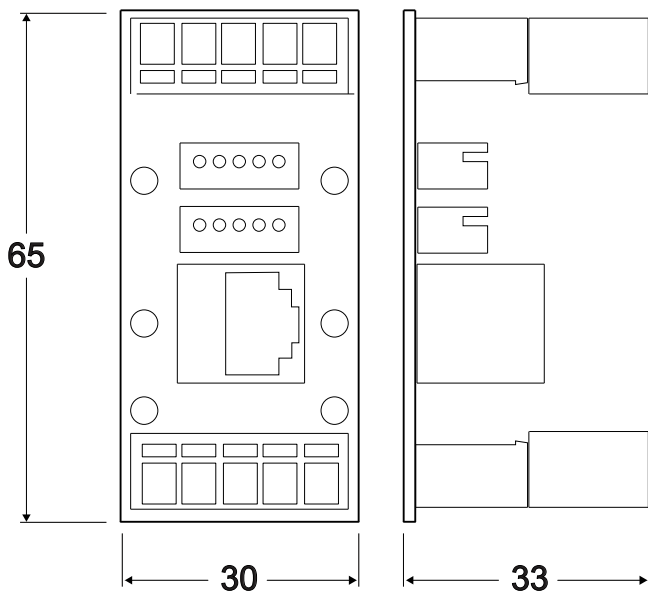
- 2x 5p 5.08 Phoenix push-in spring terminals
- \* 2x 5p 2.50 JST connector terminals
- \* 1x RJ45 connector terminal

**Weight:**

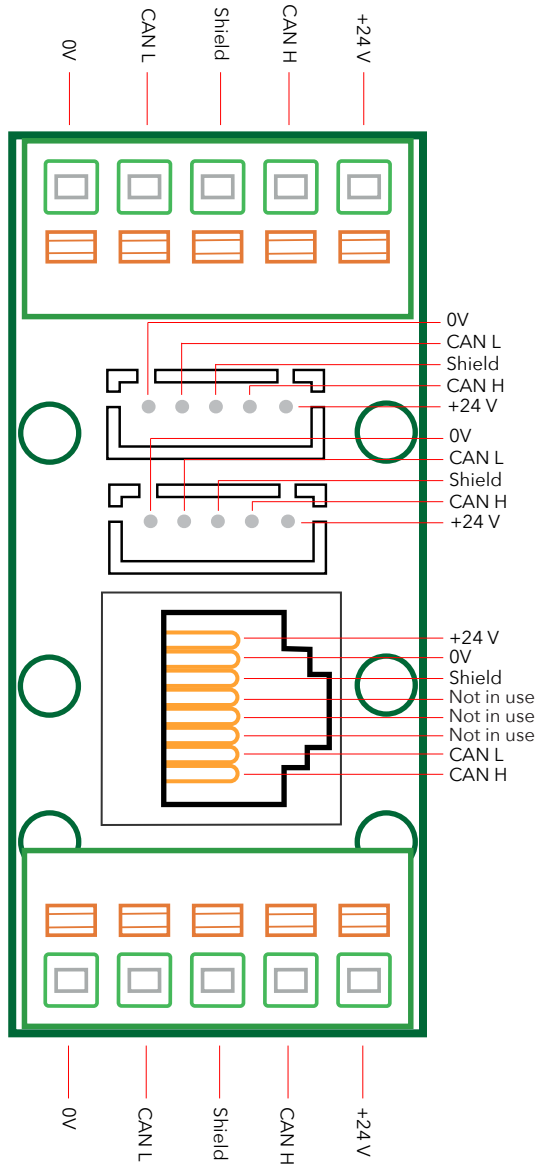
29g with DIN-feet.

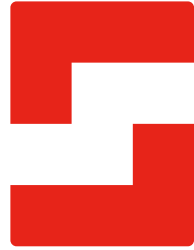
**Size:**

30x65x33 (30x65x37 with DIN-feet)



# Wiring instructions



**SafeLine Headquarters**

Antennvägen 10 · 135 48 Tyresö · Sweden  
Tel.: +46 (0)8 447 79 32 · info@safeline.se  
Support: +46 (0)8 448 73 90

**SafeLine Denmark**

Erhvervsvej 19 · 2600 Glostrup · Denmark  
Tel.: +45 44 91 32 72 · info-dk@safeline.se

**SafeLine Norway**

Solbråveien 49 · 1383 Asker · Norway  
Tel.: +47 94 14 14 49 · post@safeline.no

**SafeLine Europe**

Industrierrein 1-8 · 3290 Diest · Belgium  
Tel.: +32 (0)13 664 662 · info@safeline.eu  
Support: +32 (0)4 85 89 08 95

**SafeLine Deutschland GmbH**

Kurzwannstraße 3 · D-68526 Ladenburg · Germany  
Tel.: +49 (0) 6203 840 60 03 · sld@safeline.eu

**SafeLine Group UK**

Unit 47 · Acorn Industrial Park · Crayford ·  
Kent · DA1 4AL · United Kingdom  
Tel.: +44 (0) 1322 52 13 96 · info@safeline-group.uk

SafeLine is a registered trademark of SafeLine Sweden AB. All other trademarks, service marks, registered trademarks, or registered service marks are the property of their respective owners.