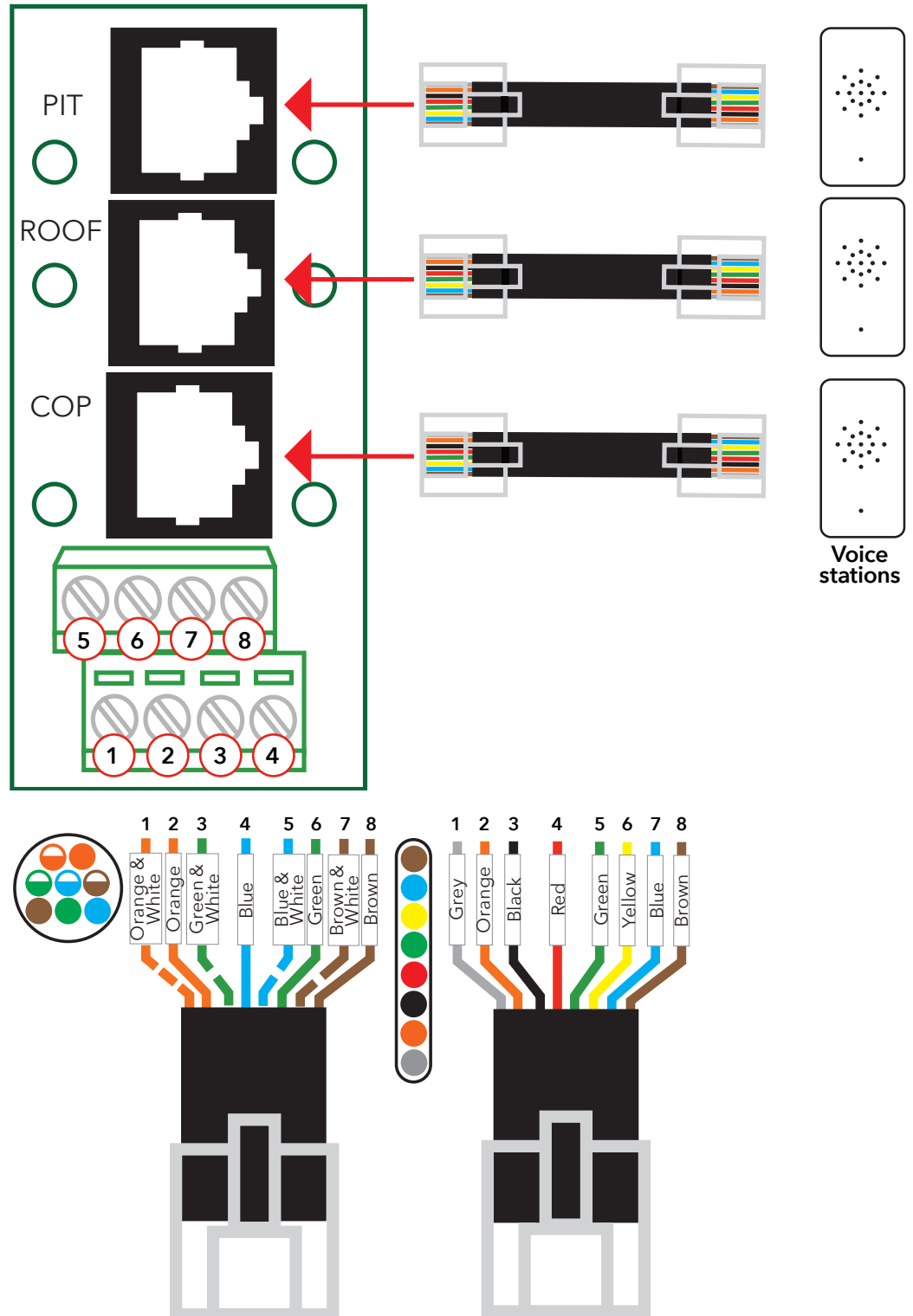


## Wiring instructions

Please note, cables supplied by us are not pre-equipped with an RJ45 connector.

RS3 is an adapter to connect an RJ45 cable to a screw terminal - making it easier and quicker to connect an SL6 with up to 3 voice stations.

Cut the cable in a suitable length. And use the right tool to attach the included RJ45 connector.



# RJ45 jack

For more information please visit our website:  
[www.safeline-group.com](http://www.safeline-group.com)

**Crimping tool**  
Weidmüller TT 864 RS  
or similar

